

ROTAMAG

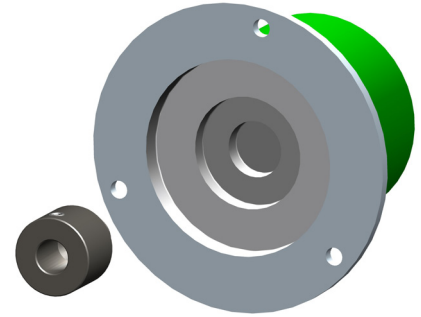
Magnetic bearingless encoder

Series

MIK36 • MSK36



- High speed rotary encoder
- Bearingless, non contact design
- IP67 or IP68 protection with sealed circuits
- Incremental and absolute version



MIK36 - MSK36

ENVIRONMENTAL SPECIFICATIONS

Shock:	100 g, 6 ms
Vibrations:	10 g, 5-2000 Hz
Protection:	IP67
Operating temperature range:	-20°C +85°C (-4°F +185°F)
Storage temperature range:	-20°C +85°C (-4°F +185°F) (98% R.H. without condensation)
Option:	• IP68 protection with sealed circuits

MECHANICAL SPECIFICATIONS

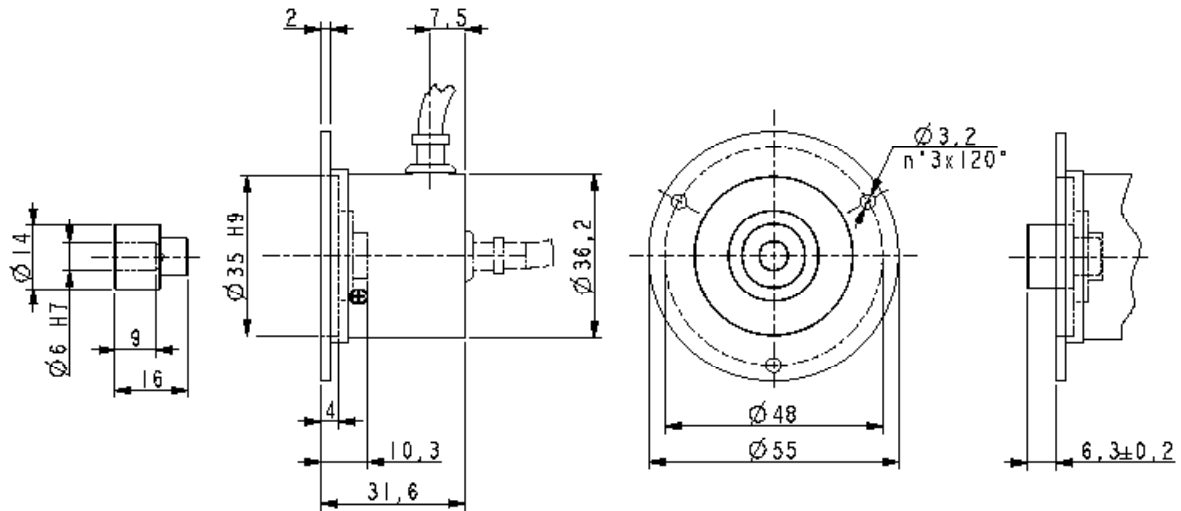
Dimensions:	see drawing
Shaft diameter:	6, 8, 10 mm
Shaft rotational speed:	40000 rpm max.
Electrical connections:	cable output 1 m (3.3 ft)
Weight:	~ 0,06 kg
Option:	• additional cable

ELECTRICAL SPECIFICATIONS

Resolution:	MIK36 (PPR): 4-8-10-16-20-25-32-40-50-64-80-100 125-128-200-250-256-400-500-512-1024-2048 MSK36 (cpr): 8192
Accuracy:	± 0,9°
Counting frequency:	300 kHz max. (MIK36)
Output circuits:	MIK36: NPN, Push-Pull, Line Driver MSK36: SSI, 13 clock max. 1 MHz
Power supply:	5Vdc ±5%, +10Vdc +30Vdc
Consumption:	MIK36 50 mA max. MSK36 65 mA max.
Output current (each channel):	40 mA max.
Protection:	against inversion of polarity and short-circuit (except 5Vdc version)
EMC:	according to: EN-61000-4-2/A1 EN-61000-4-4

MATERIALS

Flange:	non corroding, UNI EN AW-6082
Housing:	non corroding, UNI EN AW-6082
Shaft:	non corroding, UNI EN AW-6082



MIK36 - MSK36

MIK36 Resolution	Rpm max.
> 128	40000
> 256	20000
> 512	10000
1024	5100
2048	2550

Order code incremental encoder

MIK36	-	X Ⓐ	-	XXXX Ⓑ	XXX Ⓒ	X Ⓓ	XX Ⓔ	X Ⓕ	X Ⓖ	XX Ⓗ	/Sxxx Ⓘ
-------	---	--------	---	-----------	----------	--------	---------	--------	--------	---------	------------

<p>Ⓐ OUTPUT CIRCUITS N = NPN Y = Push Pull L = Line Driver (RS422)</p> <p>Ⓑ RESOLUTION (PPR) See electrical specifications</p>	<p>Ⓒ OUTPUT SIGNALS ZNF = ABO ZCU = ABO, /ABO</p> <p>Ⓓ SUPPLY VOLTAGE 1 = +5V±5% (L output circuit) 2 = +10V÷ +30V (Y or N output circuit)</p>	<p>Ⓔ SHAFT DIAMETER 6 = 6 mm 8 = 8 mm 10 = 10 mm</p> <p>Ⓕ CONNECTION POSITION - = axial R = radial</p>	<p>Ⓖ PROTECTION - = IP67 J = IP68 with sealed circuits</p> <p>Ⓗ CONNECTIONS L1 = cable output 1 m (standard) L2 = cable output 2 m Lx = cable output x m</p>	<p>Ⓘ CUSTOM VERSION</p>
--	--	---	---	--------------------------------

Order code absolute encoder

MSK36	XX Ⓐ	/	XX Ⓑ	-	XX Ⓒ	X Ⓓ	X Ⓔ	X Ⓕ	XX Ⓖ	/Sxxx Ⓗ
-------	---------	---	---------	---	---------	--------	--------	--------	---------	------------

<p>Ⓐ RESOLUTIONS 13 = 8192 counts/rev.</p> <p>Ⓑ OUTPUT CODE BS = Binary, SSI GS = Gray, SSI</p>	<p>Ⓒ SHAFT DIAMETER 6 = 6 mm 8 = 8 mm 10 = 10 mm</p> <p>Ⓓ CONNECTION POSITION - = axial R = radial</p>	<p>Ⓔ ZERO SETTING - = without (standard) E = zero setting</p> <p>Ⓕ PROTECTION - = IP67 J = IP68 with sealed circuits</p>	<p>Ⓖ CONNECTIONS L1 = cable output 1 m (standard) L2 = cable output 2 m Lx = cable output x m</p>	<p>Ⓗ CUSTOM VERSION</p>
--	---	--	---	--------------------------------