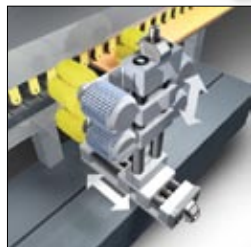
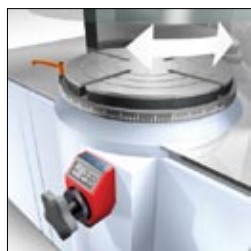


## DE04, DE10, AP04 | Flexible thanks to free programming



### Highly efficient positioning: New stand-alone units, or intelligent with bus interface

Where mechanical counters reach their limits, intelligent electronic position indicators open up completely new possibilities with their ability to display angles and unusual spindle pitches.



### DE04 and DE10 in solo operation

These two SIKO innovations are designed as freely programmable electronic counters with a large LCD display, for stand-alone operation on hollow shafts of various diameters. They have energy-saving battery operation, recording every fraction of a spindle adjustment.



### Key benefits DE04, DE10

- freely programmable display values
- linear or angular mode
- function keys: Reset and incremental measurement
- easy battery change

### AP04 and AP04S with Bus interfaces

This is an intelligent new development for the support of semi-automatic spindle adjustments. Connected to a control unit via fieldbus, AP04 enables manual axis positioning based on a previously transmitted target value. The actual value, which has been set, can then be transferred to the up-stream control.

### Key benefits AP04, AP04S

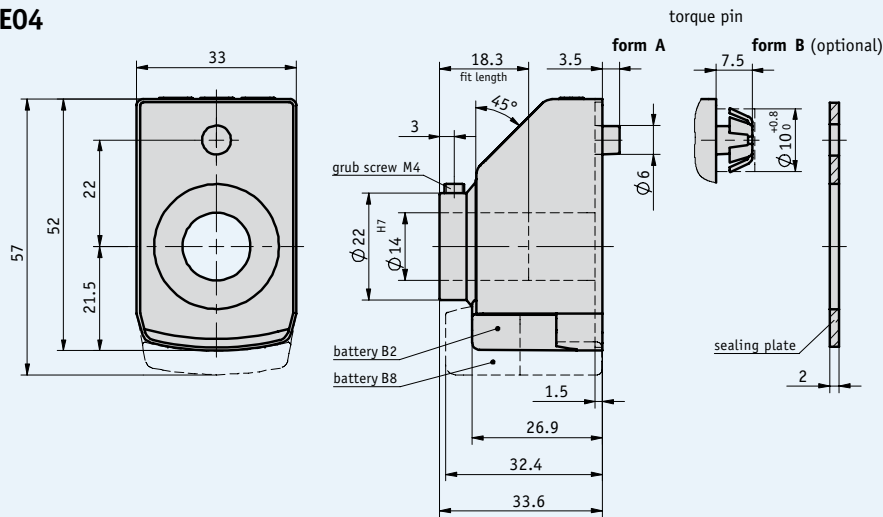
- open for Inter-, CAN or Profibus
- higher process safety with set target value directly on the adjustment spindle
- accelerated change of format
- actual value feedback signal to control

## Features DE04, DE10

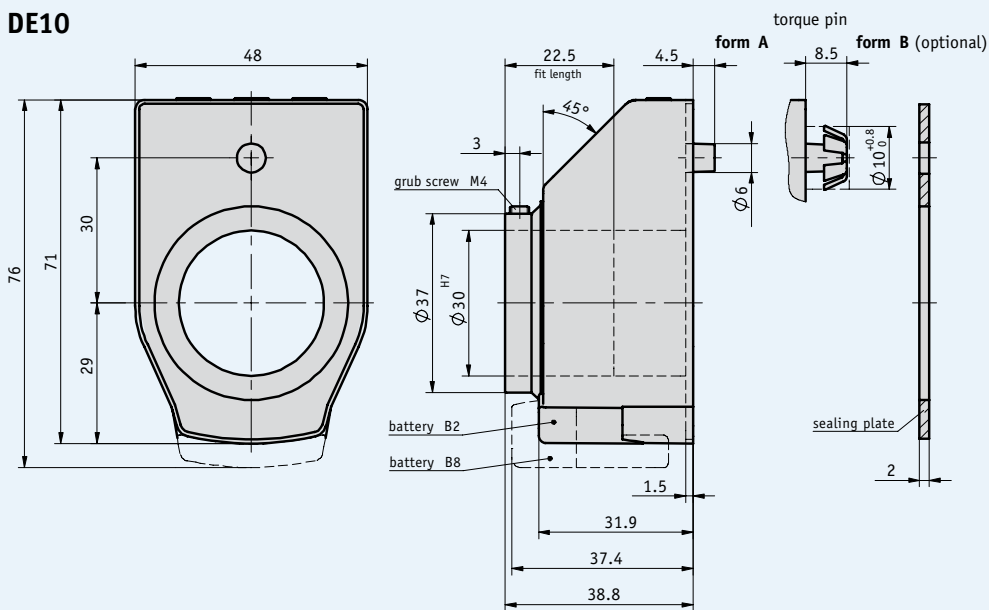
- freely programmable display values
- linear or angular mode
- reset, incremental measurement, offset via keyboard
- hollow shaft max.  $\varnothing$  14 mm (DE04), max.  $\varnothing$  30 mm (DE10)
- LCD display with 5 places and special characters
- figure height approx. 8 mm (DE04), approx. 12 mm (DE10)
- easy battery change without disassembly of the device, up to 8 years of battery service life



### DE04

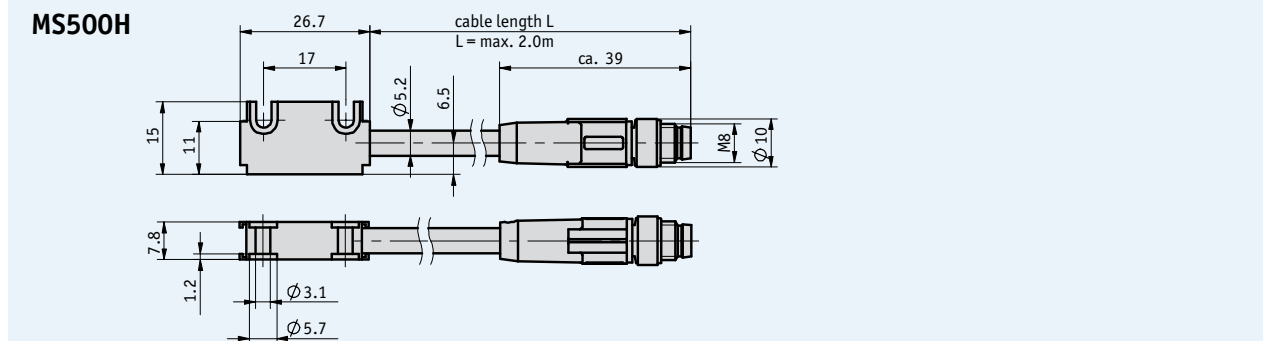
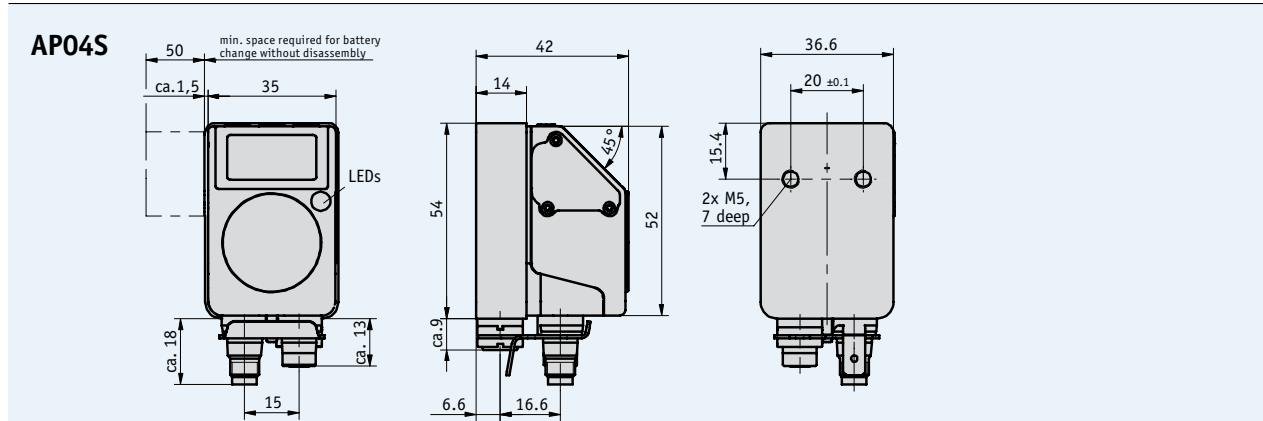
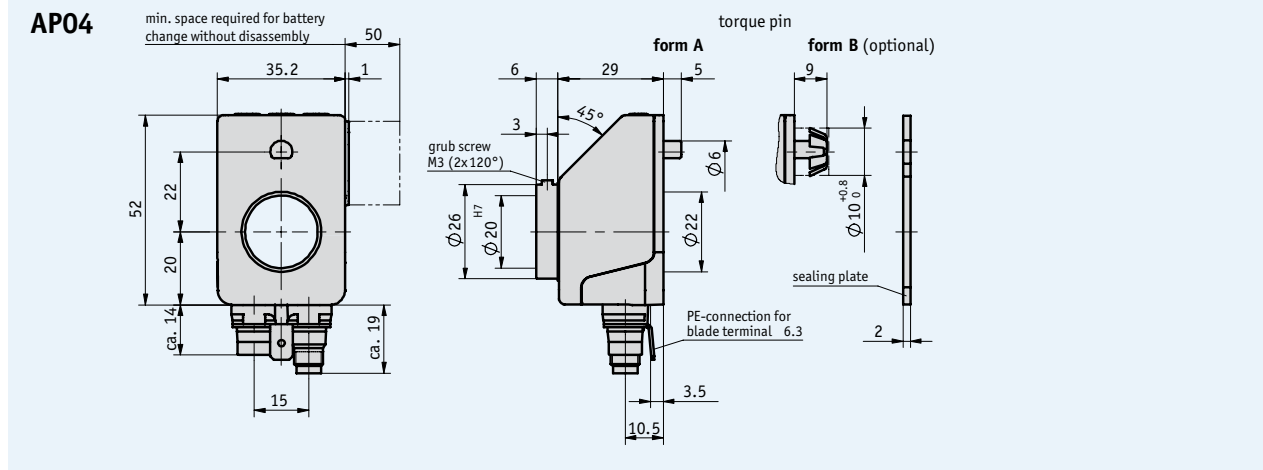


### DE10



## Features AP04, AP04S

- integrated bus interface (RS485, optional CANopen)
- Profibus DP possible via gateway
- target value can be set directly at the device
- actual value feedback to control
- hollow shaft max. diam. of 20 mm
- AP04 for spindle positioning
- AP04S with magnetic sensor for slide units
- two-line LCD display for target and actual values
- user guidance via bicolor LED
- robust sensor system owing to magnetic scanning
- M8-plug-in connector





**We are always there for you.**

**Whether locally ...**

Are you looking for an agency near you? Our website will help you. At [www.siko.de/contact/germany](http://www.siko.de/contact/germany) you will find current contact data of a local German SIKO agency via your postal code. Or just call us and we will give you the contact data you need.

**... or internationally.**

Subsidiaries and agents all over the world represent SIKO. At [www.siko.de/contact/international](http://www.siko.de/contact/international) you will also find a SIKO partner in your area.



**SIKO GmbH**  
Weihermattenweg 2  
D-79256 Buchenbach

**Telephone**  
+49 7661 394-0  
**Telefax**  
+49 7661 394-388

**E-Mail**  
[info@siko.de](mailto:info@siko.de)  
**Internet**  
[www.siko.de](http://www.siko.de)