

# ROTAPULS

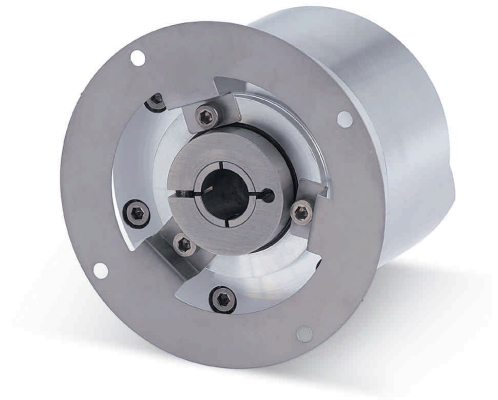
ATEX incremental encoder

series

**XC77**



- Encoder with ATEX II 2GD Ex d IIC T6 certification
- Universal cable output (radial + axial)
- For use in areas 1, 2, 21 and 22



XC77



[www.lika.biz](http://www.lika.biz)  
 • Data-sheet  
 • User manual

## ENVIRONMENTAL SPECIFICATIONS

Schock:	50 g, 11 ms (EN 60068-2-27)
Vibrations:	10 g, 10-2000 Hz (EN 60068-2-6)
Environmental temperature at max. speed:	40°C max.
Operating temperature range:	-25°C +85°C (-13°F +185°F)
Storage temperature range:	-40°C +100°C (-40°F +212°F) (98% R.H. without condensation)
Protection:	IP65

## MECHANICAL SPECIFICATIONS

Protection mode:	EEx d IIC T6
Dimensions:	see drawing
Shaft:	Ø 14 mm
Shaft loading (axial and radial):	60 N max.
Shaft rotational speed:	6000 rpm max.
Starting torque at 20°C:	< 5 Ncm
Moment of inertia:	~ 40 gcm <sup>2</sup>
Bearings life:	10 <sup>9</sup> rev. min.
Weight:	~ 0,9 kg
Electrical connections:	cabl 1 m

## ELECTRICAL SPECIFICATIONS

STD pulse rate (other PPR upon request):	2-4-5-6-10-12-15-16-18-20-24-25-30-35-36-39 40-45-50-60-64-70-80-90-100-120-122-125-127 142-150-180-200-216-236-240-250-254-256 267-270-300-314-360-375-400-410-433-435 471-500-512-600-625-628-635-720-750-784 800-875-900-946-1000-1024-1068-1099-1200 1250-1270-1440-1500-1800-2000-2048-2250 2400-2500-3000-3600-4000-4096-5000-6000 8192-9000-10000
Power supply:	5Vdc ± 5%, +10Vdc +30Vdc, +5Vdc +30Vdc
Input current:	70 mA max.
Output circuits:	NPN o.c., Push-Pull, Line Driver, PP/LD
Output current (per channel):	40 mA max.
Output frequency:	100 kHz max.
Protection:	against inversion of polarity and short-circuit
Optoelectronic life:	100.000 hrs min.

## MATERIALS

Flange:	non corroding, EN AW-6082 (UNI EN 573)
Housing:	non corroding, EN AW-6082 (UNI EN 573)
Bearings:	ABEC 5
Shaft and clamping ring:	1.4305 (UNI EN 10088-1)

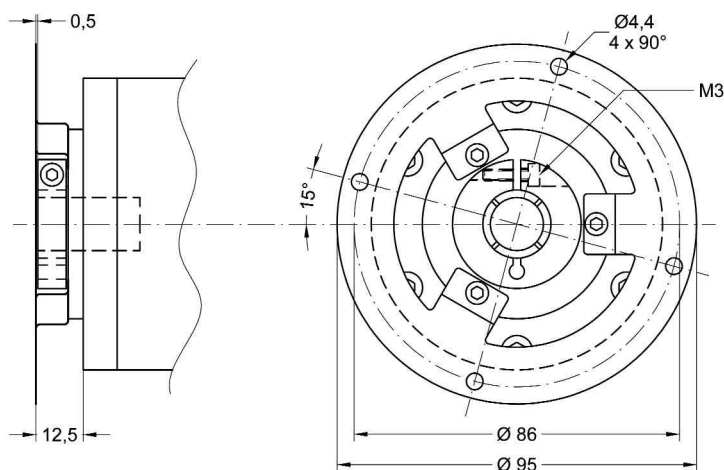
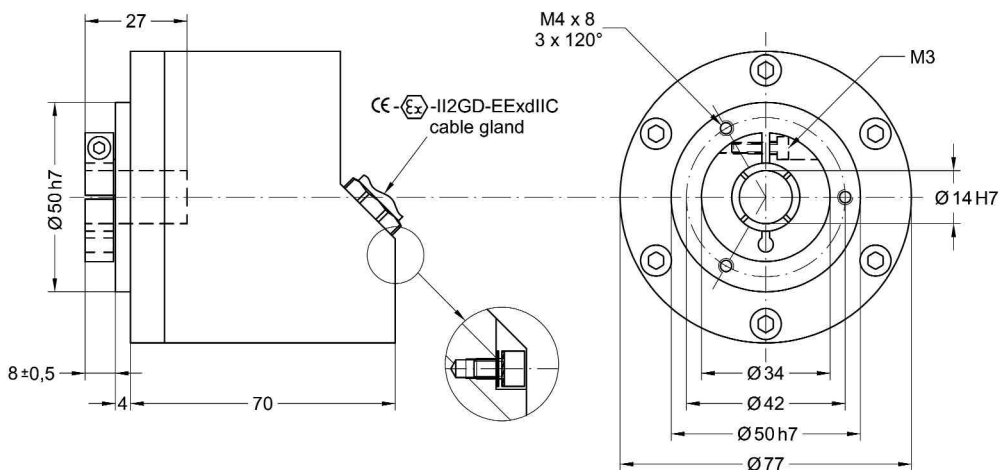
## ELECTRICAL CONNECTIONS

1	Function
Yellow	A
Blue	/A
Green	B
Orange	/B
White	0
Grey	/0
Red	+Vdc
Black	0 Vdc GND

1 = LIKA shielded cable 8x0,22 mm<sup>2</sup>

## ACCESSORIES

LKM-1758:	Ø 10 mm shaft extension
-----------	-------------------------



XC77

ORDERING CODE

ADDITIONAL CODE (indicate only if necessary)

XXXX	-	X	-	XXXXX	X	X	X	X	XX	X
SERIES									SHAFT DIAMETER	
XC77									14 14 mm	
OUTPUT CIRCUITS									ELECTRICAL CONNECTIONS	
NPN o.c. N Push-Pull Y Line Driver AD26LS31 L PP/LD universal circuit H									C Complementary outputs U 8 wires cable, 1 m (3.3 ft)	
PULSE RATE (PPR)										
see electrical specifications										
OUTPUT SIGNALS CONFIGURATION									SUPPLY VOLTAGE VS OUTPUT CIRCUIT	
Bidirectional with index pulse Z									+5Vdc ±5% (L output circuit) 1 +10Vdc÷+30Vdc (N and Y output circuits) 2 +5Vdc÷+30Vdc (H output circuit) 4	
										X Cable length on request Lx Ex.: L4 = 4 meters (13.2 ft) L7 = 7 meters (23.0 ft)